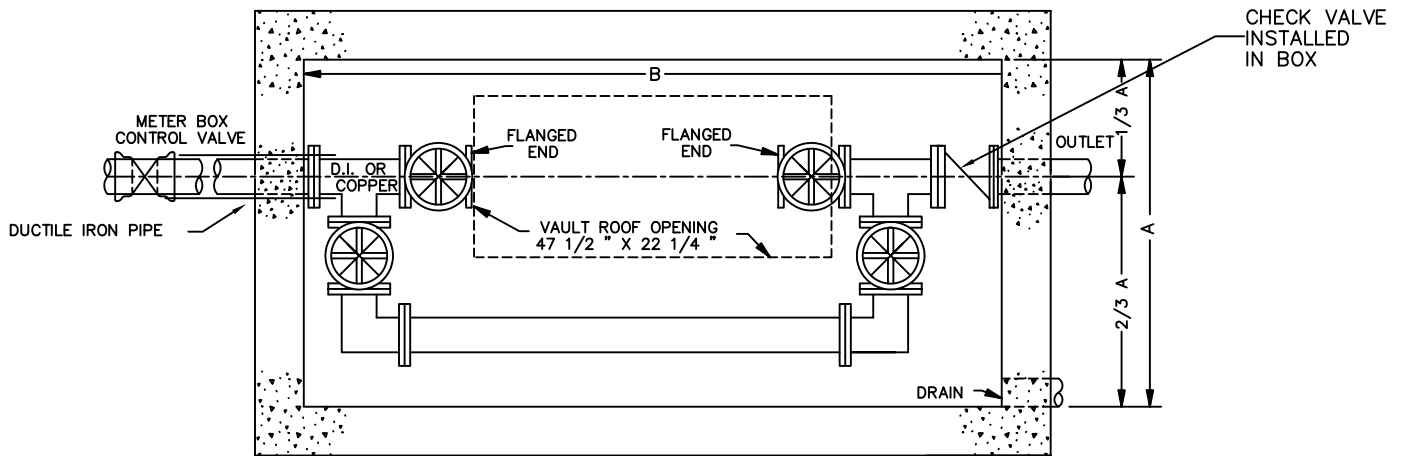


PUBLIC WATER SUPPLY DISTRICT NO. 12  
 12301 HWY TT  
 FESTUS, MO 63028  
 PHONE: (636) 937-9697

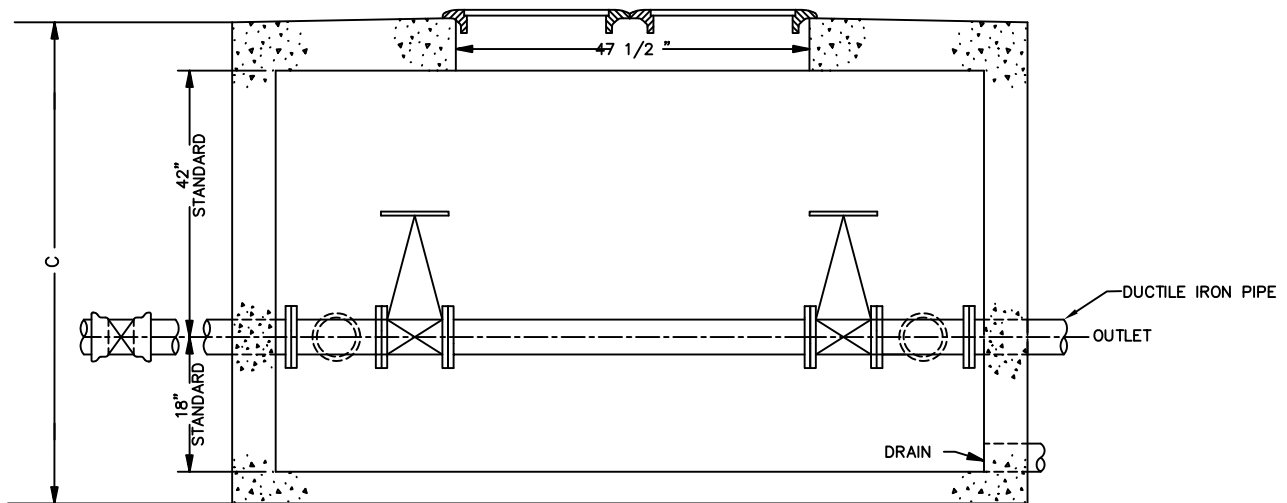


# METER BOX FOR 3", 4", 6" & 8" SERVICES

SEE NOTE 20



PLAN



ELEVATION

PIPE SIZE IN.	MIN. DIM. - IN.		
	A	B	C
3	60	60	70
4	60	60	70
6	72	72	72
8	72	72	72

NOT TO SCALE

ATTACHED NOTES SHALL PRESIDE OVER DRAWINGS UNLESS APPROVED BY PWSD # 12 OR ITS REPRESENTATIVE.