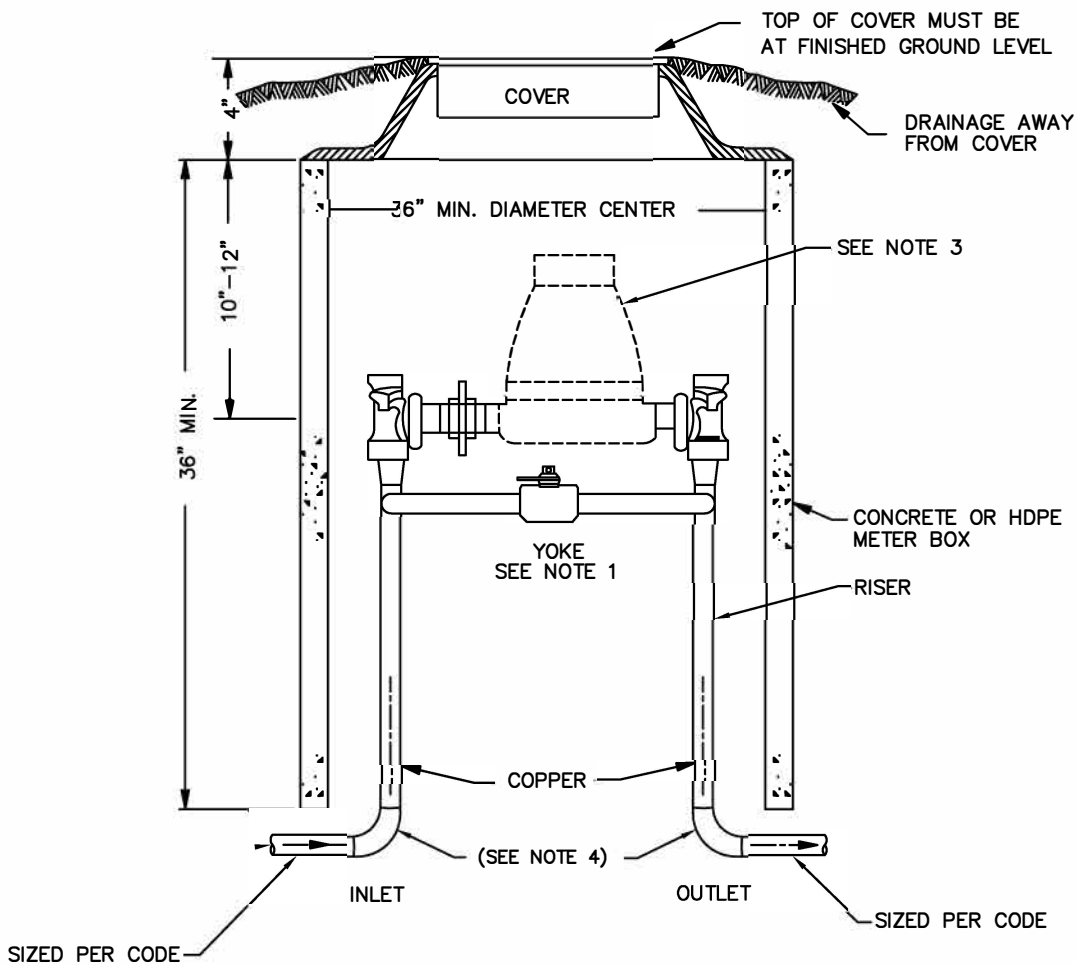


PUBLIC WATER SUPPLY DISTRICT NO. 12  
12301 STATE ROAD TT  
FESTUS, MO 63028  
PHONE: (636) 937-9697



## METER BOX FOR 1-1/2" & 2" COMMERCIAL & RESIDENTIAL SERVICES



NOT TO SCALE

ATTACHED NOTES SHALL PRESIDE OVER DRAWINGS UNLESS APPROVED BY PWSO No. 12 OR ITS REPRESENTATIVE.