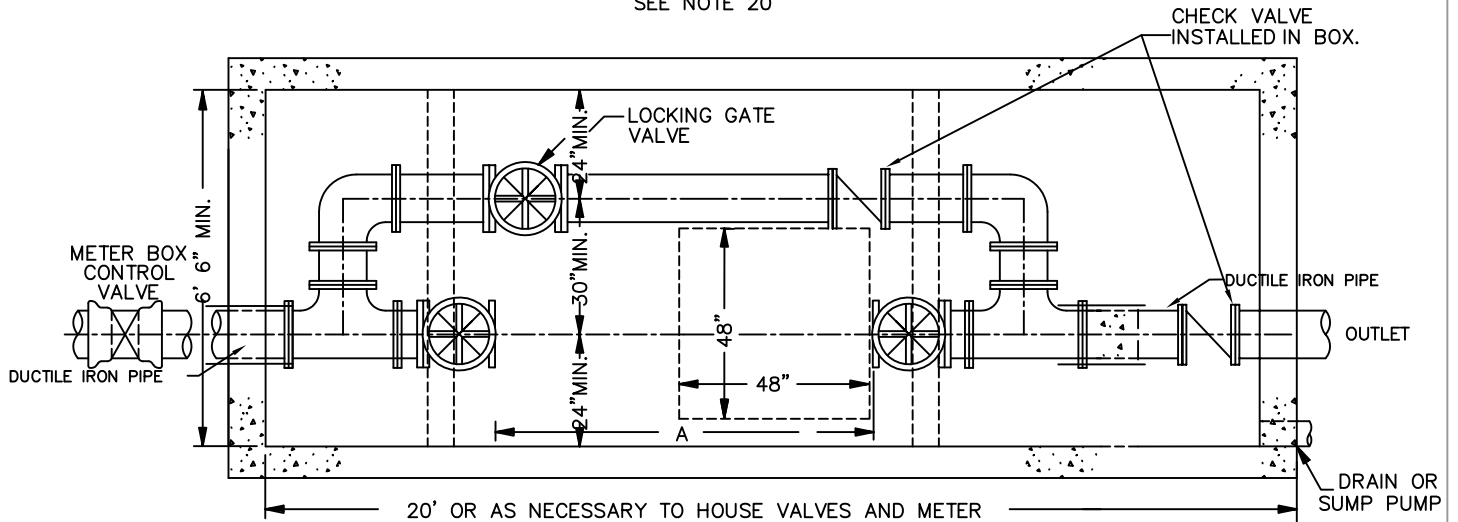




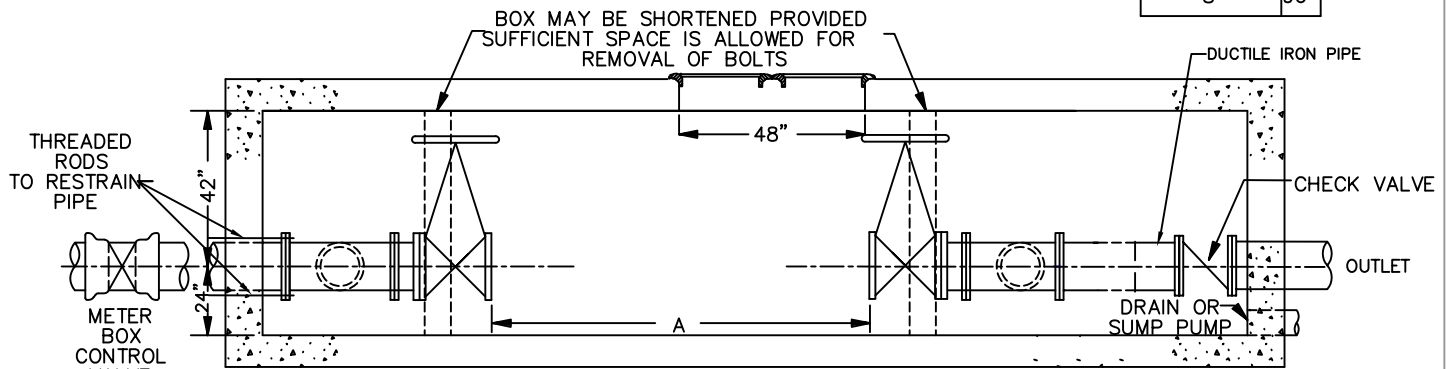
# METER BOX FOR FIRE FLOW METER SERVICE

SEE NOTE 20



PLAN

METER SIZE	A
4"	69"
6"	81"
8"	96"



ELEVATION

NOT TO SCALE

ATTACHED NOTES SHALL PRESIDE OVER DRAWINGS UNLESS APPROVED BY PWS D # 12 OR ITS REPRESENTATIVE.